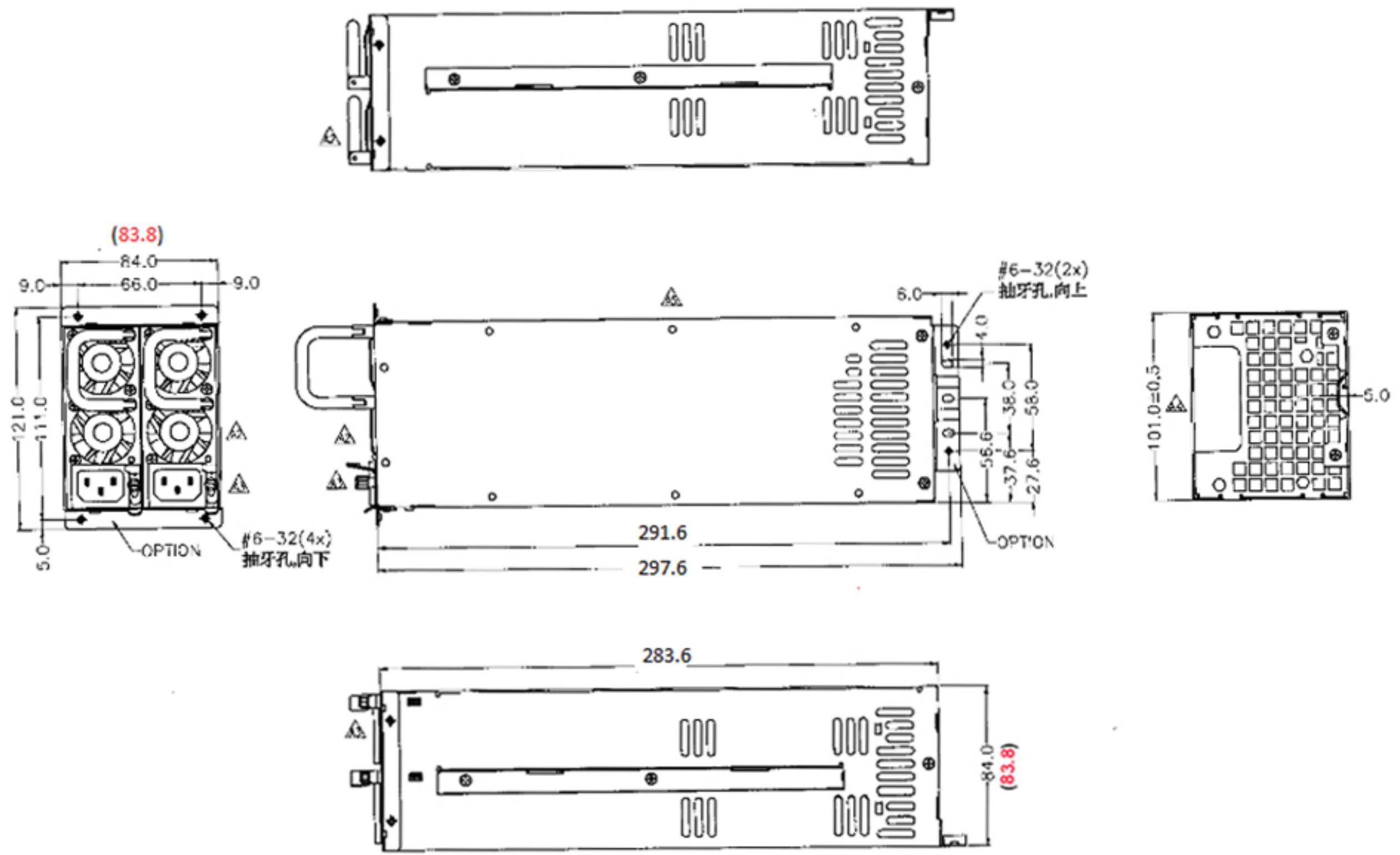


REVISIONS	DESCRIPTION	APPROVED	DATE



MODEL NAME	<b>ST500NAG</b>		<b>Seventeam</b>				
PART NO.			七盟電子工業股份有限公司				
APPLY FOR NO.		MATERIAL	For KACER	DATE	2005/05/23		
CUSTOMER		APPROVED		PROJECTION			
SALES		CHECKED		REV NO.	A0	SCALE	1:1
TSD		DRAWN		TOLERANCE	/	UNIT	mm