

# **IPC-4450MB**

19" 4U FA Chassis for 14 slots PICMG1.3 Backplane

## **User`s Manual V1.10**

WEEE-Reg.: DE 937 100 87

Written by: Frank Chen  
Technical Data: Zhou, Zhuoli

Approval by: Frank Chen

Neuss, July.25.2010

# Index

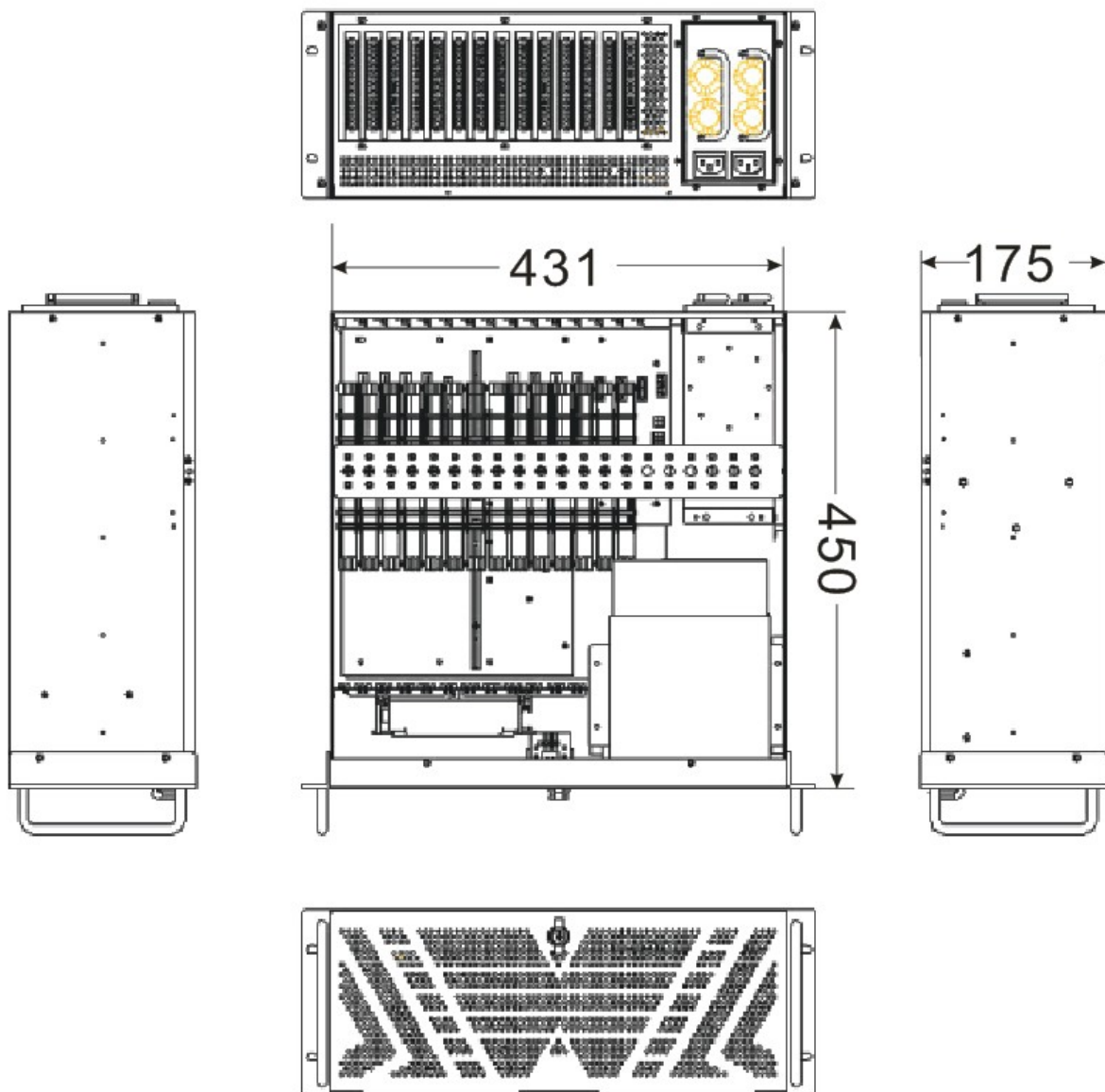
---

<b>1. Product outlook .....</b>	<b>3</b>
<b>2. Mechanical drawing .....</b>	<b>3</b>
<b>3. Exploring drawing.....</b>	<b>4</b>
<b>4. Design features.....</b>	<b>4</b>
a. Anti-vibration card holding design .....	4
b. Control Panel (W/ 2*USB).....	错误! 未定义书签。
c. EMI and thermal friendly design .....	5
d. PS2 and SFX metal power adapter .....	5
e. User friendly Fan replacement and maintainence issue. 1*12cm hot swappable fan(HSF02) .....	5
<b>5. Specifications .....</b>	<b>5</b>
<b>6. Accessories .....</b>	<b>6</b>
a. 19” rack Handle mounting kit.....	6
b. Utility pack .....	6
<b>7. Optional accessories .....</b>	<b>6</b>
a. MPA04-SFX power supply metal plate ( photo in page 5 ).....	6
b. Telescope slide TS-22-3S & Mounting Bracket MBR-3S ( standard kits, flat Mounting kits) .....	6
<b>8. Mounting Guide.....</b>	<b>6</b>
a. Side opening( see the Product outlook point) .....	6
b. Slot card holding bar .....	6
c. Slot card holder.....	7
d. Cable connection.....	7
e. Disk drive frame .....	7
<b>9. Passive Backplane support(IPC4450MB) .....</b>	<b>7</b>
a. PICMG 1.0 Backplanes Supported .....	7
b. PICMG 1.3 Backplane Supported.....	7
<b>10. Power supply support .....</b>	<b>8</b>
<b>11. FAQ.....</b>	<b>8</b>
a. <i>Can we remove one side of the holding clamps?</i> .....	8
b. <i>Holding clamps is not in right position of interface card.</i> .....	8
<b>12. Order Information .....</b>	<b>8</b>

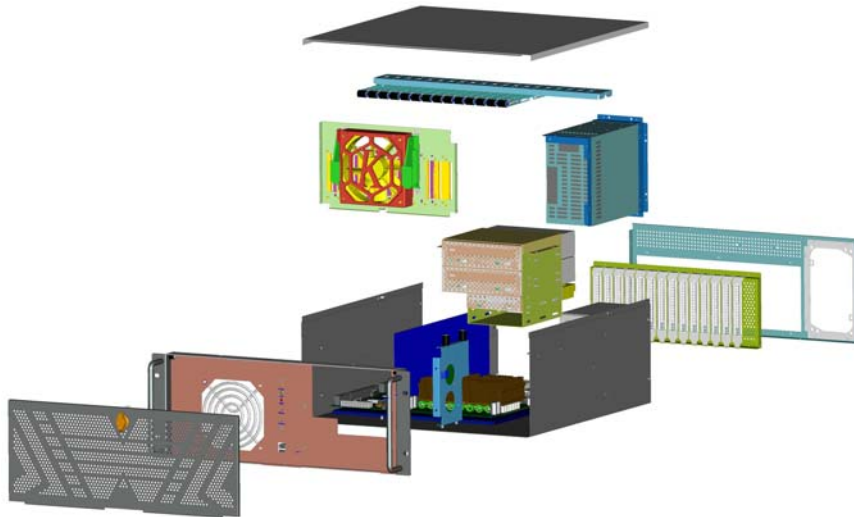
## 1. Product outlook



## 2. Mechanical drawing



### 3. Exploring drawing



### 4. Design features

- a. Front I / O access possibilities.
- b. Long MTBF Ball bearing Fan for Ind. purpose. ( > 60,000 hours)
- c. Easy maintenance hot swappable cooling fan.
- d. 4 pins PWM cooling fan eliminating power noise and more power efficiency
- e. Higher security Bird wings concept on card holding device
- f. Flexible sliding interface card holding Clamps
- g. Anti-vibration design on card holding
- h. PCI & ISA card Retainer device.
- i. Shock-resistant on Driver canister
- j. PS2 redundant power supply compatible

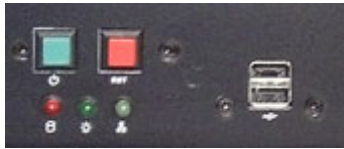
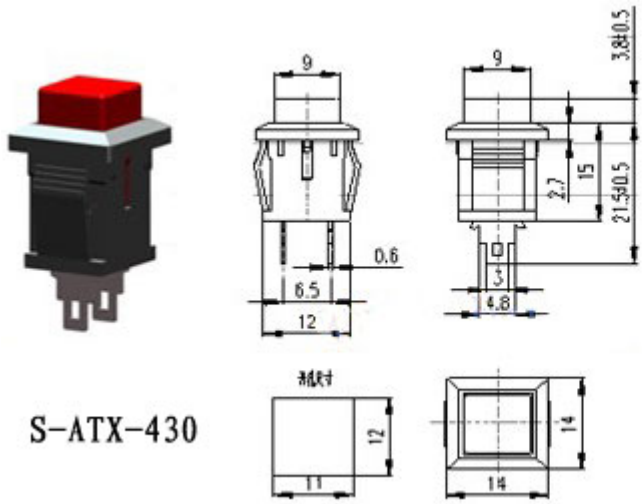
- Enhanced metal body for better ISA-PCI-PCI express card holding



- a. Anti-vibration card holding design



b. Control Panel (W/ 2\*USB)

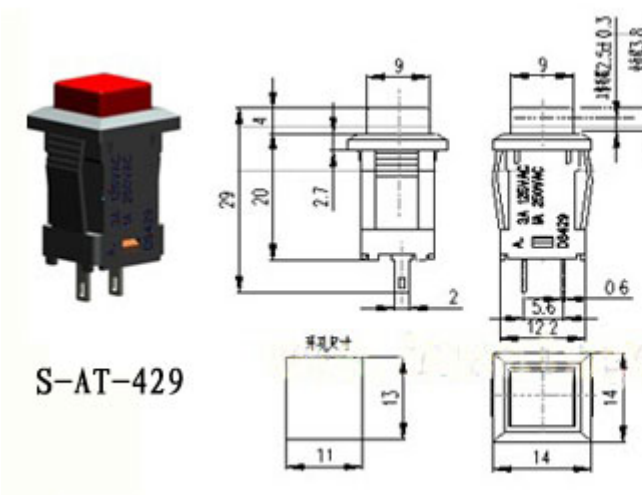



**S-ATX-430**

原理圖

DS-430 接通      DS-431 按斷

額定電流：1A250V 3A125VAC  
 接觸電阻： $\leq 50\text{m}\Omega$   
 絕緣電阻： $\geq 100\text{M}\Omega$   
 介電強度：500VAC  
 電氣壽命：10000 次



**S-AT-429**

原理圖

額定電流：1A250V 3A125VAC  
 接觸電阻： $\leq 50\text{m}\Omega$   
 絕緣電阻： $\geq 100\text{M}\Omega$   
 介電強度：500VAC  
 電氣壽命：10000 次

c. EMI and thermal friendly design



d. PS2 and SFX metal power adapter



e. User friendly Fan replacement and maintenance issue. 1\*12cm hot swappable fan(HSF02)



## 5. Specifications

- a. Driver bays: 2 x 5.25" Driver, 1x 3.5" Floppy and 1x 3.5" HDD
- b. Cooling fan: 1 x 12cm hot swappable ( 80CFM/ pc ),
- c. Dual ports USB in front

- d. Indicators: LEDs for power on/off, HDD and Lan activity
- e. Paint colour: RAL-9900 black color
- f. Weight: Net. 9.7 KG,Gross 12.5 KG
- g. Dimension (WxHxD): 431 x175 x 440 mm ( carton packing 4.65 CBF)

## 6. Accessories

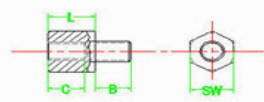
- a. 19” rack Handle mounting kit



**RKMH- 4450**

- b. Utility pack

IPC 4450(A/B) 零件包物料	
脚垫 (Foot)	4pcs
束线带 (Cable Tie)	4pcs
接地线 (Grounding Cable)	1pcs
束线带固定座 (Cable Mount)	2pcs
背板间隔柱 (Spacer)	17pcs
M3*5 Round Head HW-C. M3*5 (M/B)	17pcs
6ø32*5 Hex HW-C. 6ø32*5 (POWER)	8pcs
M3*5 Flat Head (CDROM, FLOPPY, HDD)	26pcs



SW=6mm  
 B=5mm, 6ø32粗牙  
 L=6.5mm  
 C=5mm, M3细牙



## 7. Optional accessories

- a. MPA04-SFX power supply metal plate ( photo in page 5 )

- Mounting plate redundant power supply - **KR4U-rP/S**



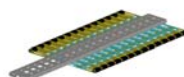
- b. Telescope slide [TS-22-3S](#) & Mounting Bracket [MBR-3S](#) ( standard kits, flat Mounting kits)

TS-22-3S	MBR-3S ( Flat Mount )
	

## 8. Mounting Guide

- a. Side opening( see the Product outlook point)
- b. Slot card holding bar

**HBR-4450MB**



- Manual adjustment according to the height of the Slot cards.



- Card holding photo



c. Slot card holder

Slot card holder (PCI & ISA supported)



d. Cable connection

Front USB

Frontpanel 2 pin connectors

System fan connectors

PE-13SD	PXE-13S



e. Disk drive frame



f. ATX 7 slots rear window



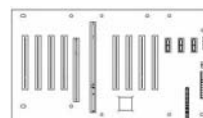
## 9. Passive Backplane support(IPC4450MB)

a. PICMG 1.0 Backplanes Supported

- PCI-14S, PCI-14S2, PCI-14S3. PCI-13SD
- PX-14S, PX-14S1, PX-14S2, PX-14S3, PX-14S5
- IP-13SD, IP-14S, IP-14S3
- IPX-13S
- BP-14S

b. PICMG 1.3 Backplane Supported

- Sever Grade—SPXE-14S
- Graphic Grade Backplane- PE-10S, PE10S2, PE-13SD, PXE-12S, PXE-13S



## 10. Power supply support

- Single PS2 power supply, SFX Power supply
- PS2 Redundant power supply, MRT, MRW, MRP

## 11. FAQ

a. *Can we remove one side of the holding clamps?*

**A:** *yes, integrators can easily remove it and holding clamps still work fine.*

**see reference picture.**



b. *Holding clamps is not in right position of interface card.*

**A:** *release two screws on top of the holding bar, Manually adjust the position of the holding clamps to the slot card place.*

**see reference picture.**



## 12. Order Information

Model	Remark
IPC4450MB	14 Slots rear window for CPU card Version
MPA04	Metal plate for SFX power supply assemble
TS-22-3S	Telescope Slide 22 inch , 3 section
Backplane	Please chose from NO. 9